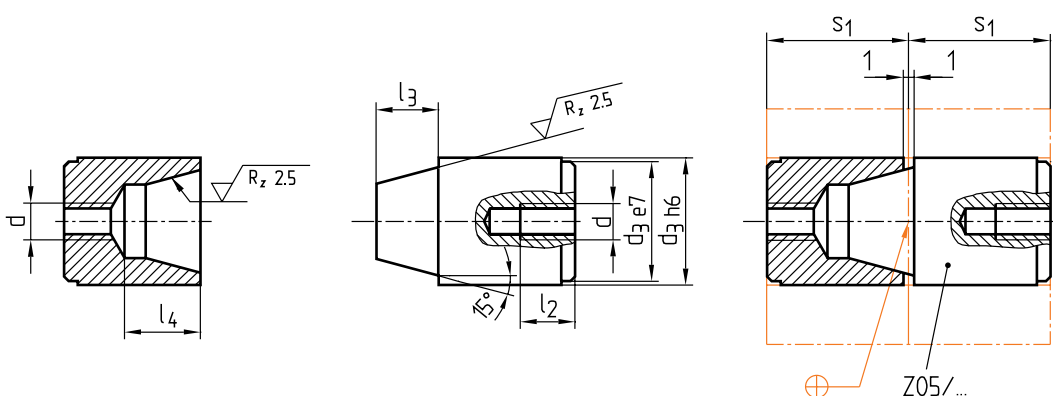


Z05/...

Mat.: 1.2067/54 ± 2 HRC



l_4	l_3	l_2	d	s_1	d_3	Nr./No.
8	5	10	M 4	17	12	Z05/12
	7	11	M 5		14	14
					16	16
13	10	15	M 8	27	20	20
	11				25	25
	10				26	26
20	14	18	M10	36	30	30
					32	32
25	18			46	42	42

This is trial version
www.adultpdf.com